

YARD MATE™

ILLUSTRATED PARTS BOOK

212cc Rear Tine Tiller

YRTT212



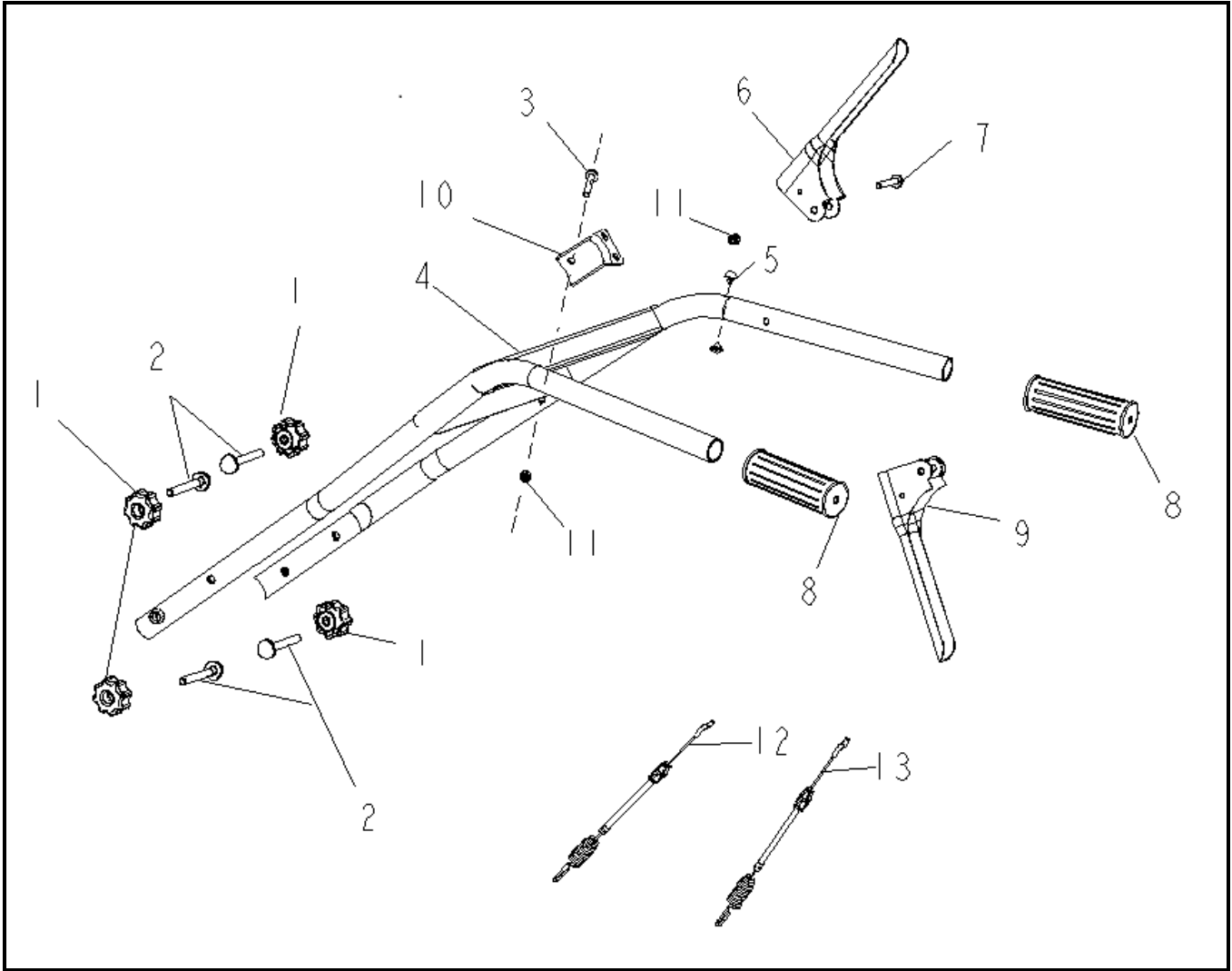
Table of Contents

Upper Handle Assembly	2
Forward Controls	3-4
Rear Controls	5-6
Tines & Tine Shield	7
Transmission	8-9
Unit Decals	10

Engine Sub-Assemblies:

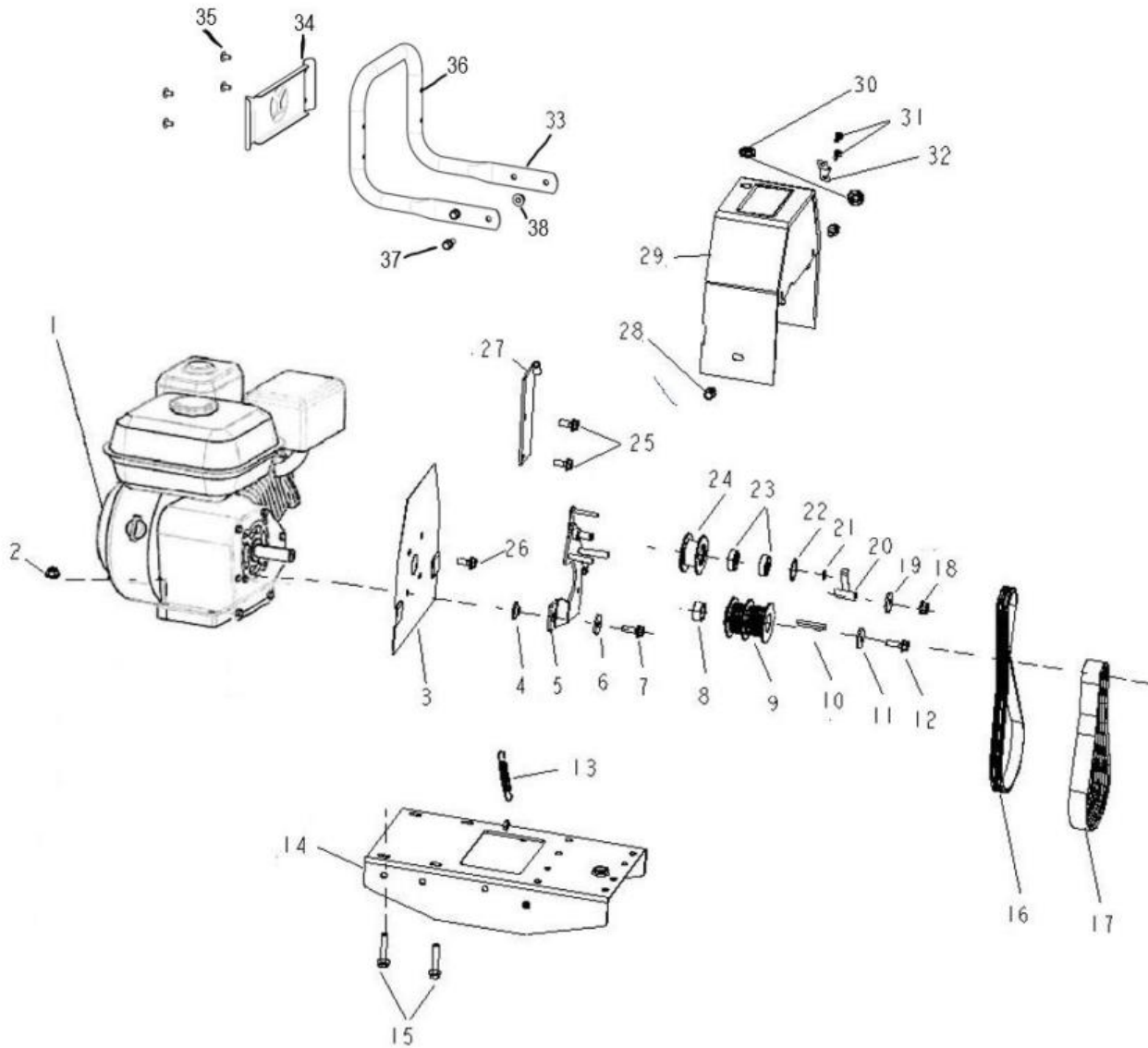
Cylinder Head	11
Crankcase and Crankcase Cover	12
Camshaft	13
Recoil Starter	14
Carburetor	15
Flywheel / Ignition	16
Air Filter	17
Control Assembly	18-19
Muffler	20
Fuel Tank	21
Purge Valve	22
Ignition Coil	23

Upper Handle Assembly



REF. NO.	DESCRIPTION	PART NO.	QTY
1	Knob, Handle	A200486	4
2	Screw, M8 x 1.25 x 50, Carriage	A202629	4
3	Screw, M6 x 1.0 x 40, HFH, Grade 8.8, Zinc	<i>Reference Only</i>	1
4	Handle, Upper	A203116	1
5	Bushing, Rubber Clutch Lever	A200490	2
6	Lever, Forward Clutch, Gray	A204482	1
7	Screw, M6 x 1.0 x 45, HFH, Grade 8.8, Zinc	<i>Reference Only</i>	1
8	Grip, Handle	A200802	2
9	Lever, Reverse Clutch, Gray	A204483	1
10	Bracket, Clutch Cable Handle Mounting	A203117	1
11	Locknut, M6 x 1.0, Nylon Insert, Grade 8, Zinc	<i>Reference Only</i>	2
12	Cable, Forward Extension Control (1440mm)	A203120	1
13	Cable, Reverse Extension Control (1430mm)	A203121	1

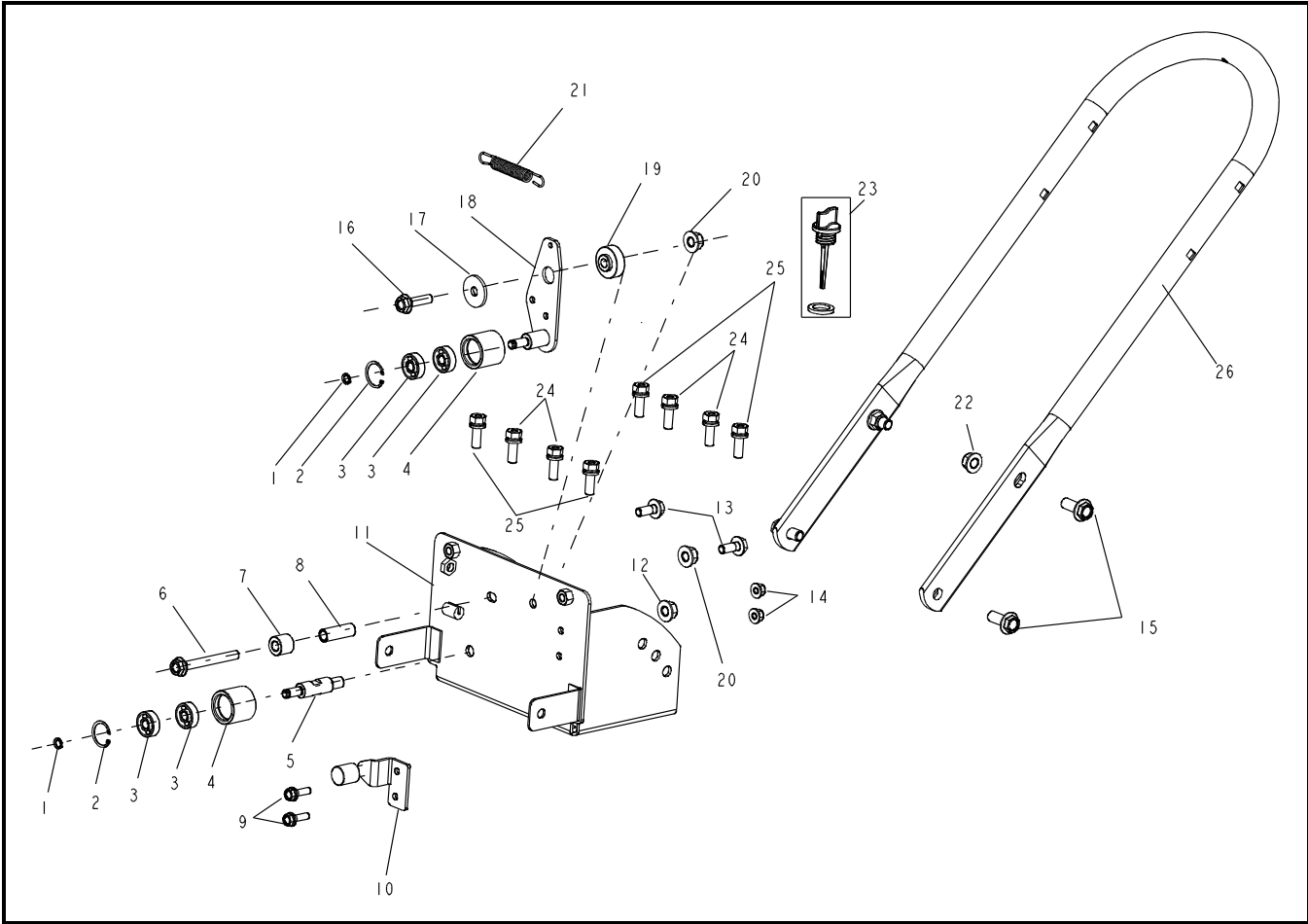
Forward Controls



Forward Controls (continued)

REF. NO.	DESCRIPTION	PART NO.	QTY
1	Engine, 212cc EPA3/CARB	A203826	1
2	Nut, M8 x 1.25, Hex, Grade 8, Zinc	<i>Reference Only</i>	8
3	Plate, Belt Cover Mounting, Black	A204486	1
4	Spacer, PM Bracket	A200542	1
5	Bracket, Reverse Tensioner	A203122	1
6	Flat Washer, 8.5 x 22.2 x 3mm	<i>Reference Only</i>	1
7	Screw, M8 x 1.25 x 25, Hex Head, Grade 8.8, Zinc	<i>Reference Only</i>	1
8	Bushing, Forward Pulley Shaft	A200509	1
9	Pulley, Forward Drive	A200510	1
10	Key, 4.78 x 5 x 45	A200511	1
11	Flat Washer, 8.5 x 24.5 x 4mm	<i>Reference Only</i>	1
12	Screw, 5/16-24 x 25, HFH, Grade 8.8, Zinc	<i>Reference Only</i>	1
13	Spring, Tension	A200544	1
14	Frame, Engine Mounting, Orange	A200536	1
15	Screw, M8 x 1.25 x 40, Hex, Grade 8.8, Zinc	<i>Reference Only</i>	4
16	Belt, Reverse Drive, 5PK730	A200528	1
17	Belt, Forward Drive, 7PK597	A200512	1
18	Nut, M8 x 1.25, Hex Flange	<i>Reference Only</i>	1
19	Flat Washer, M8	<i>Reference Only</i>	1
20	Guide, Belt	A203136	1
21	Circlip, 10	<i>Reference Only</i>	1
22	Circlip, 30	<i>Reference Only</i>	1
23	Bearing, 6200-2RZ	<i>Reference Only</i>	2
24	Pulley, Reverse Tensioner	A200527	1
25	Screw Assembly, M8 x 1.25 x 16, Hex Head	<i>Reference Only</i>	2
26	Screw Assembly, M8 x 1.0 x 16, Hex Head	<i>Reference Only</i>	5
27	Plate, Reverse Cable Belt Mounting	A203123	1
28	Screw, M8 x 1.25 x 16, Hex Head, Grade 8.8, Zinc	<i>Reference Only</i>	2
29	Cover, Belt, Black	A204487	1
30	Grommet, Belt Cover Rubber	A200569	2
31	Screw, 4.2 x 9.5	<i>Reference Only</i>	2
32	Fastener, Cable	A203138	1
33	Handle, Bull Bar	A204484	1
34	Name Plate	A204485	1
35	Screw, M6 x 1.0 x 25, Hex Head, Grade	<i>Reference Only</i>	4
36	Nut, M6 x 1.0, Hex	<i>Reference Only</i>	4
37	Screw, M8 x 1.25 x 16, Hex Head, Grade 8.8, Zinc	<i>Reference Only</i>	4
38	Nut, M8 x 1.25, Hex	<i>Reference Only</i>	4

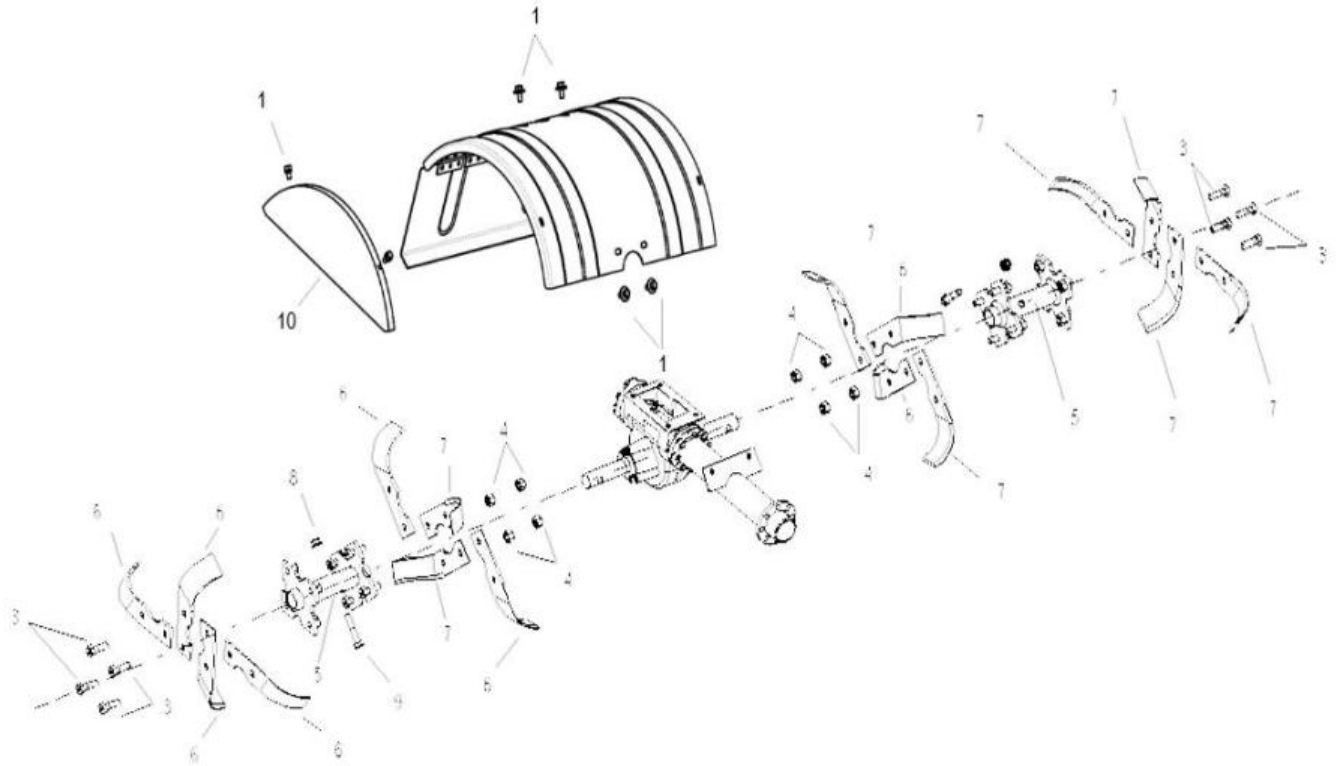
Rear Controls



Rear Controls (continued)

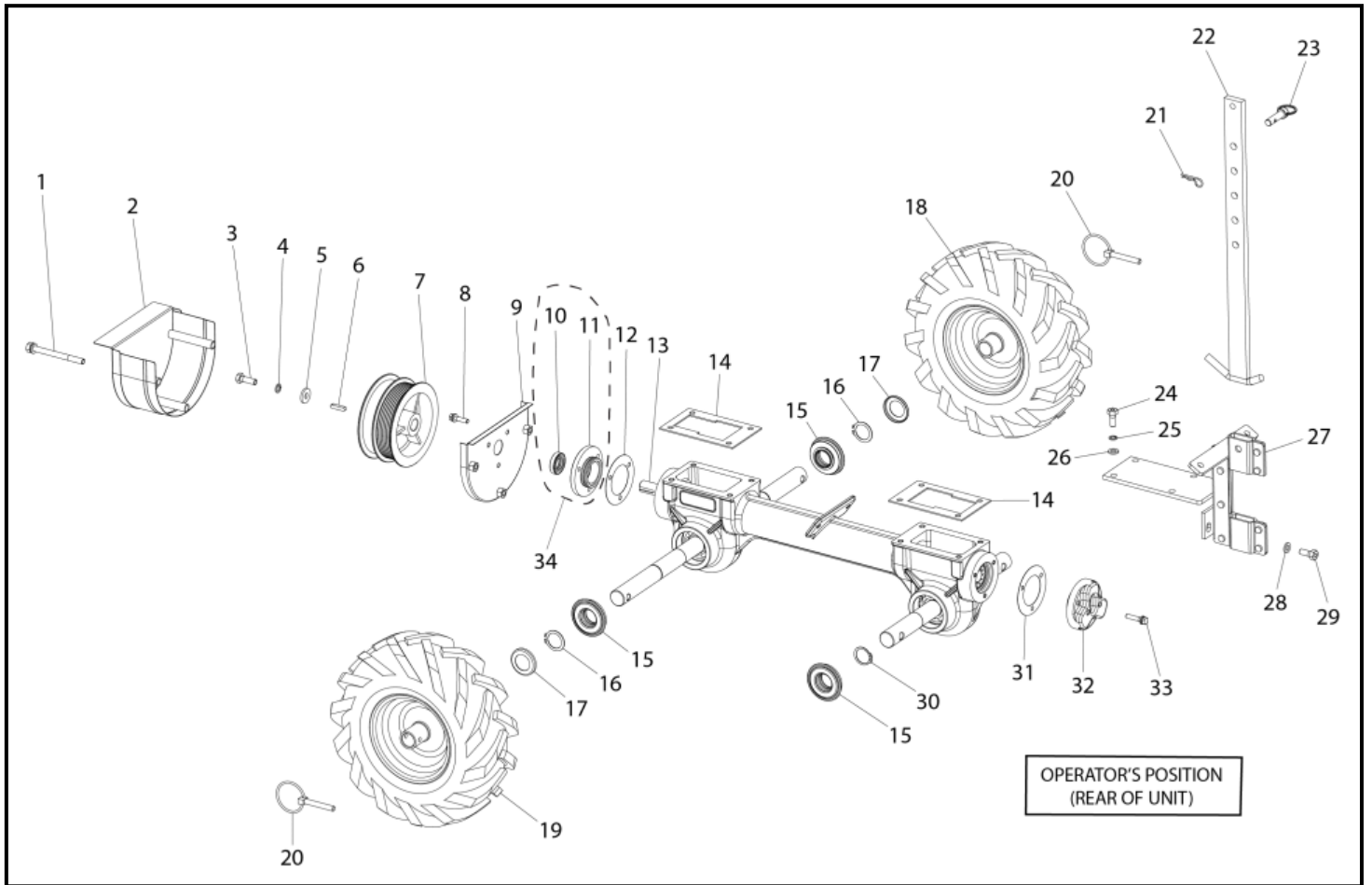
REF. NO.	DESCRIPTION	PART NO.	QTY
1	Circlip, 8	A200547	2
2	Circlip, 24	<i>Reference Only</i>	2
3	Bearing, 628-2RZ	<i>Reference Only</i>	4
4	Pulley, Forward Tensioner	A200549	2
5	Shaft, Forward Tensioner	A200559	1
6	Screw, M8 x 1.25 x 65, Hex Head, Grade 8.8, Zinc	<i>Reference Only</i>	1
7	Bushing, 2	A200558	1
8	Bushing, 3	A200560	1
9	Screw, M6 x 1.0 x 20, Hex Head, Grade 8.8, Zinc	<i>Reference Only</i>	2
10	Guide, Reverse Belt	A200557	1
11	Frame, Handle Mounting, Black	A204488	1
12	Nut, M10 x 1.5, Hex Flange	<i>Reference Only</i>	1
13	Screw, M8 x 1.25 x 16, Hex Head, Grade 8.8, Zinc	<i>Reference Only</i>	2
14	Nut, M6 x 1.0, Hex	<i>Reference Only</i>	2
15	Screw, M10 x 1.5 x 25, Hex Head, Grade 8.8, Zinc	<i>Reference Only</i>	4
16	Screw, M8 x 1.25 x 30, Hex Head, Grade 8.8, Zinc	<i>Reference Only</i>	1
17	Flange Washer, 8.5 x 30 x 3mm, Zinc	A200513	1
18	Arm, Clutch Bracket	A203129	1
19	Bushing, Shaft Tensioner	A200552	1
20	Nut, M8 x 1.25, Hex Flange	<i>Reference Only</i>	1
21	Spring, Tension	A200544	1
22	Nut, M10 x 1.5, Hex, Grade 8, Zinc	<i>Reference Only</i>	2
23	Assembly, Dipstick	A203137	1
24	Screw Assembly, M8 x 1.25 x 25, Hex Head	<i>Reference Only</i>	9
25	Screw Assembly, M8 x 1.25 x 20, Hex Head	<i>Reference Only</i>	10
26	Handle, Lower	A202636	1

Tines & Tine Shield



REF. NO.	DESCRIPTION	PART NO.	QTY
1	Screw, M8 x 1.25 x 20, Hex Head, Grade 8.8, Zinc	<i>Reference Only</i>	8
2	Shield, Main Tine, Orange	A204490	1
3	Screw, M8 x 1.25 x 25, Hex Head	<i>Reference Only</i>	16
4	Nut, M8 x 1.25, Hex, Nylon Insert	<i>Reference Only</i>	20
5	Hub, Tine	A203130	2
6	Tines, Right	A202957	8
7	Tines, Left	A202956	8
8	Nut, M10 x 1.5, Hex	<i>Reference Only</i>	2
9	Screw, M10 x 1.5 x 50, Hex Head	<i>Reference Only</i>	2
10	Side Shield, Black	A204489	2

Transmission



Transmission (continued)

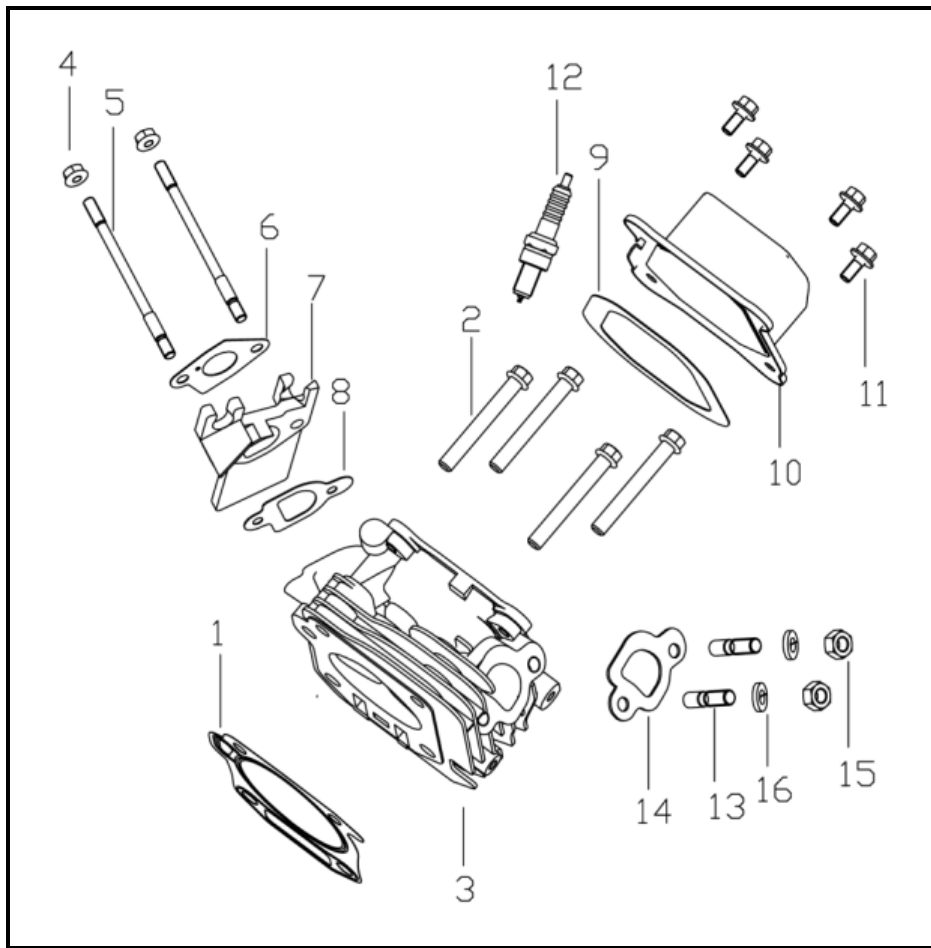
REF. NO.	DESCRIPTION	PART NO.	QTY
1	Screw, M8 x 1.25 x 90, Hex Head, Grade 8.8, Zinc	A200583	3
2	Cover, Lower Front Belt, Powermate Orange	A200584	1
3	Screw, M8 x 1.25 x 25, Hex Head, Grade 8.8, Zinc	<i>Reference Only</i>	1
4	Lock Washer, M8, Zinc	<i>Reference Only</i>	1
5	Flat Washer, M8, Zinc	<i>Reference Only</i>	1
6	Key, 5 x 5 x 25	A200586	1
7	Pulley, Transmission	A200587	1
8	Screw, M6 x 1.0 x 25, Hex Head, Grade 8.8, Zinc	<i>Reference Only</i>	3
9	Cover, Lower Stationary Belt, Powermate Orange	A200589	1
10	Seal, Transmission Oil, 20 x 37 x 7	<i>Reference Only</i>	1
11	Cover, Front Transmission	<i>Reference Only</i>	1
12	Gasket, Transmission	A203887	2
13	Kit, Transmission Assembly	A203888	1
14	Gasket, Transmission Gearbox	A200538	2
15	Seal, Transmission Oil	A203889	4
16	C-Clip, 25	A200599	2
17	Spacer, Wheel Shaft	A200598	2
18	Tire, 13" Right (Determined from Operator's Position)	A204491	1
19	Tire, 13" Left (Determined from Operator's Position)	A204492	1
20	Pin, Wheel Lock	A200596	2
21	Pin, Cotter	<i>Reference Only</i>	1
22	Bar, Drag	A200576	1
23	Pin, Drag Bar	A200577	1
24	Screw, M8 x 1.25 x 25, Hex Head, Grade 8.8, Zinc	<i>Reference Only</i>	4
25	Lock Washer, M8, Zinc	<i>Reference Only</i>	4
26	Flat Washer, M8, Zinc	<i>Reference Only</i>	4
27	Frame, Drag Bar Mounting	A200574	1
28	Flat Washer, M8, Zinc	<i>Reference Only</i>	2
29	Screw, M8 x 1.25 x 20, Hex Head, Grade 8.8, Zinc	<i>Reference Only</i>	2
30	C-Clip, 24	A203891	2
31	Gasket, Transmission	A200592	2
32	Cover, Transmission Rear	A203890	1
33	Screw, M6 x 1.0 x 25, Hex Head, Grade 8.8, Zinc	<i>Reference Only</i>	3
34	Kit, Transmission Front Cover with Seal	A203886	1

Unit Decals



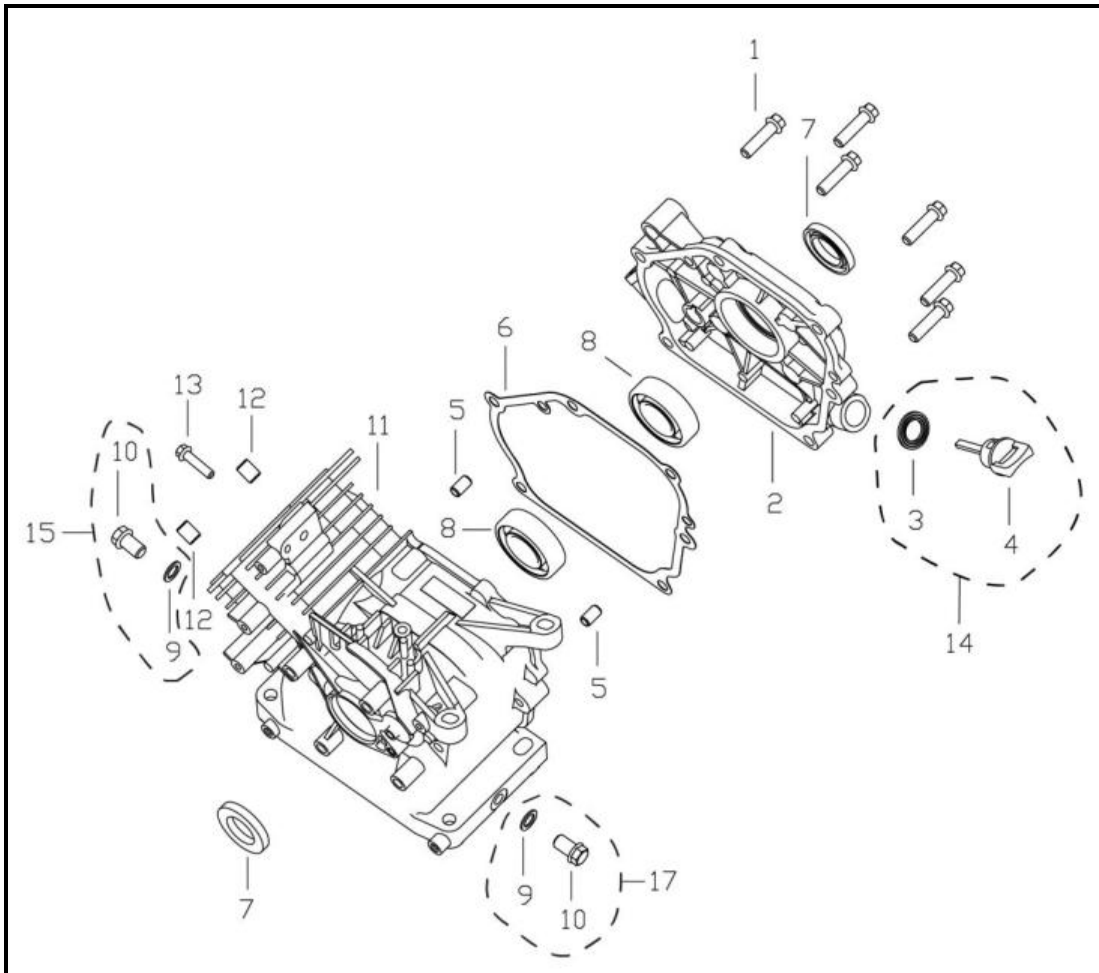
REF. NO.	DESCRIPTION	PART NO.	QTY
1	Decal Sheet, YRTT212	A204461	1

Cylinder Head



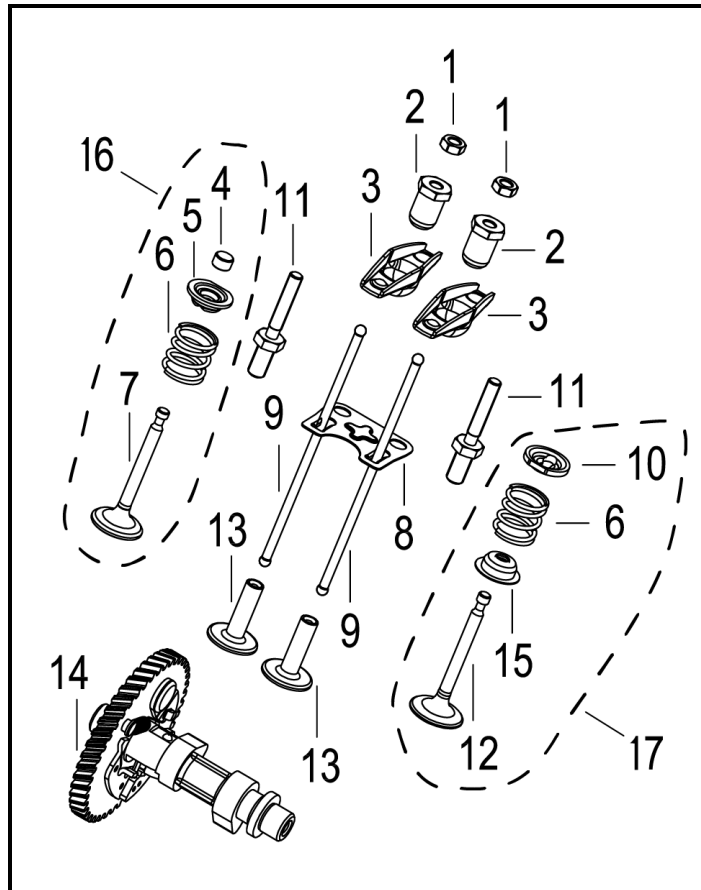
REF. NO.	DESCRIPTION	PART NO.	QTY
1	Gasket, Cylinder Head	A203943	1
2	Screw, M8 x 1.25 x 60, HFH	Reference Only	4
3	Cylinder Head	Reference Only	1
4	Nut, M6 x 1.0, HFH	Reference Only	2
5	Stud, Double End	A101225	2
6	Gasket, Intake 2	A101226	1
7	Spacer	A101227	1
8	Gasket, Intake 1	A101228	1
9	Gasket, Cylinder Head Cover	A101230	1
10	Cover, Cylinder Head	A101231	1
11	Screw, M6 x 1.0 x 14, HFH	Reference Only	4
12	Spark Plug	A101232	1
13	Stud, Double End	A100735	2
14	Gasket, Exhaust	A101234	1
15	Nut, M8 x 1.25, Hex	Reference Only	2
16	Lock Washer	Reference Only	2

Crankcase and Crankcase Cover



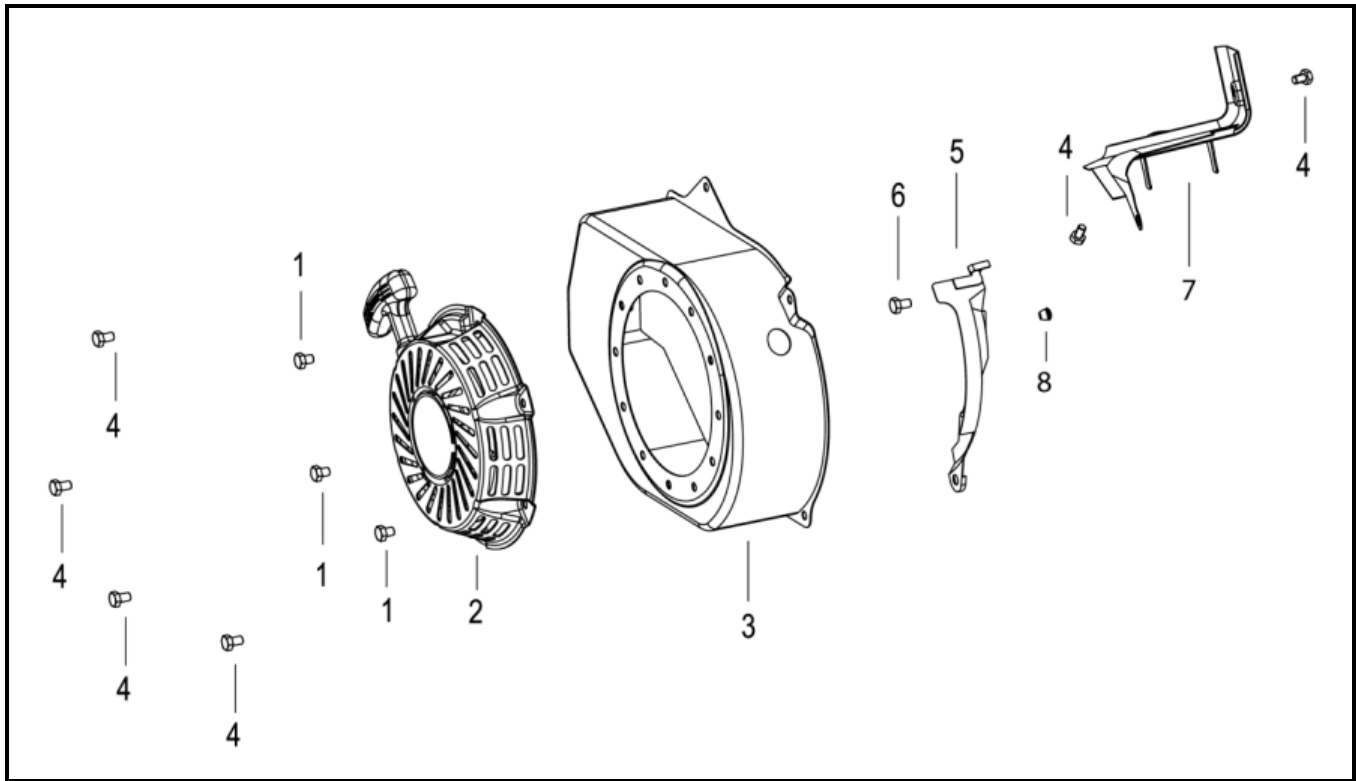
REF. NO.	DESCRIPTION	PART NO.	QTY
1	Screw, M8 x 1.25 x 30, HFH	<i>Reference Only</i>	6
2	Cover, Crankcase	<i>Reference Only</i>	1
3	Seal, Dipstick Oil	<i>Reference Only</i>	1
4	Dipstick	<i>Reference Only</i>	1
5	Dowel, Guide	<i>Reference Only</i>	2
6	Gasket, Crankcase	A101166	1
7	Seal, Oil	A100675	2
8	Bearing	A101137	2
9	Washer, Drain Plug	<i>Reference Only</i>	2
10	Plug, Drain	<i>Reference Only</i>	2
11	Assembly, Crankcase	<i>Reference Only</i>	1
12	Dowel, Guide	<i>Reference Only</i>	2
13	Screw, M6 x 1.0 x 30, HFH	<i>Reference Only</i>	1
14	Kit, Dipstick	A203945	1
15	Kit, Oil Drain Plug	A203946	1

Camshaft



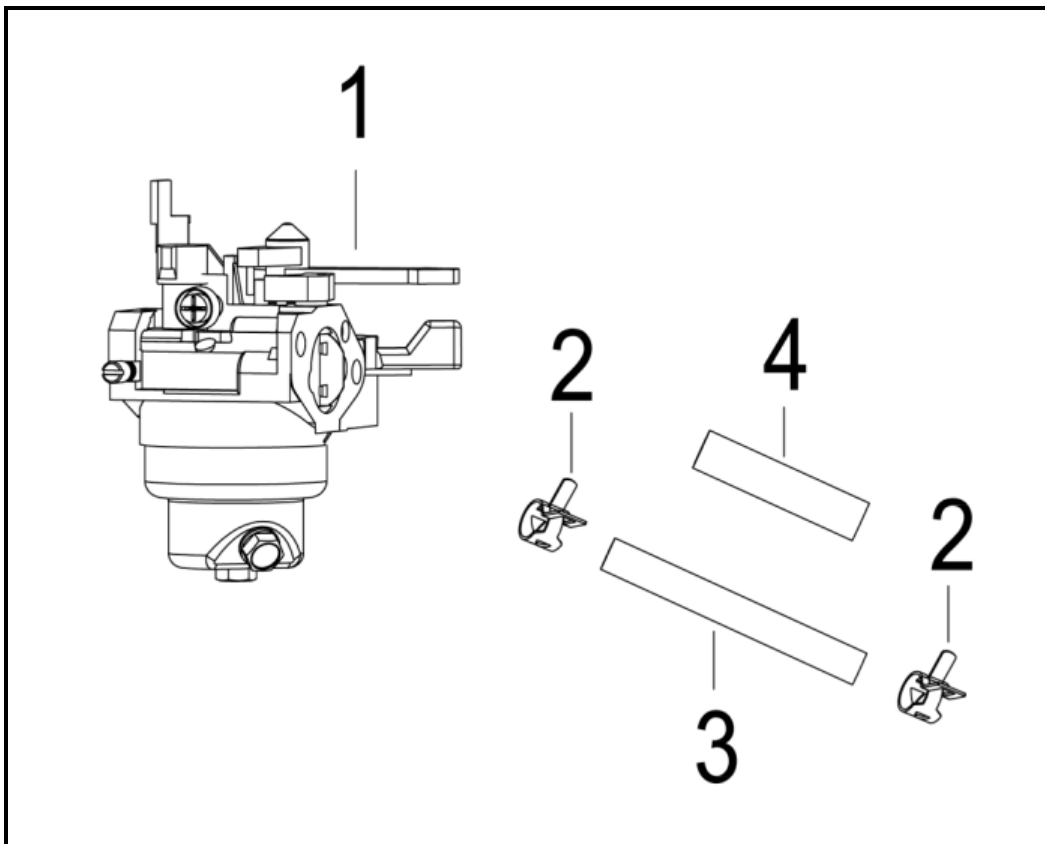
REF. NO.	DESCRIPTION	PART NO.	QTY
1	Nut	Reference Only	2
2	Arm, Buttonhead	Reference Only	2
3	Arm	Reference Only	2
4	Cap, Exhaust Rod	Reference Only	1
5	Retainer, Exhaust Valve Spring Upper	Reference Only	1
6	Spring, Valve	Reference Only	2
7	Valve, Exhaust	Reference Only	1
8	Plate, Connecting Rod Guide	Reference Only	1
9	Rod, Connecting	Reference Only	2
10	Retainer, Intake Valve Spring Upper	Reference Only	1
11	Stud, Valve Clearance Adjusting	Reference Only	2
12	Valve, Intake	Reference Only	1
13	Stud, Connecting	Reference Only	2
14	Camshaft	Reference Only	1
15	Seal, Valve Oil	Reference Only	1
16	Kit, Exhaust Valve	A203947	1
17	Kit, Intake Valve	A203948	1

Recoil Starter



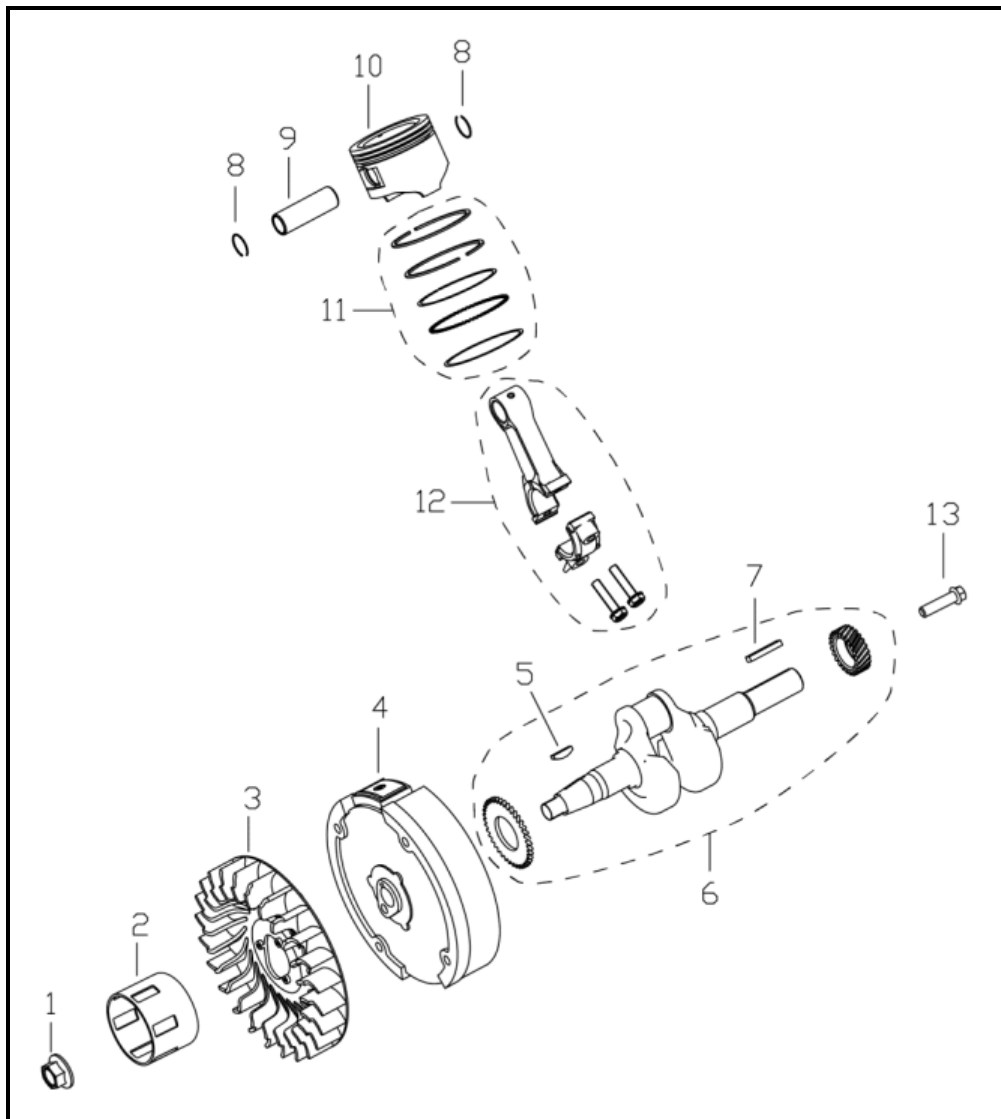
REF. NO.	DESCRIPTION	PART NO.	QTY
1	Screw, M6 x 1.0 x 8, Hex Head	<i>Reference Only</i>	3
2	Assembly, Recoil Starter	A203949	1
3	Assembly, Engine Side Cover	A203950	1
4	Screw, M6 x 1.0 x 10, Hex Head	<i>Reference Only</i>	6
5	Shield 1	A200198	1
6	Screw, M6 x 1.0 x 20, Hex Head	<i>Reference Only</i>	1
7	Shield 2	A203951	1
8	Plug, Rubber	A101217	1

Carburetor



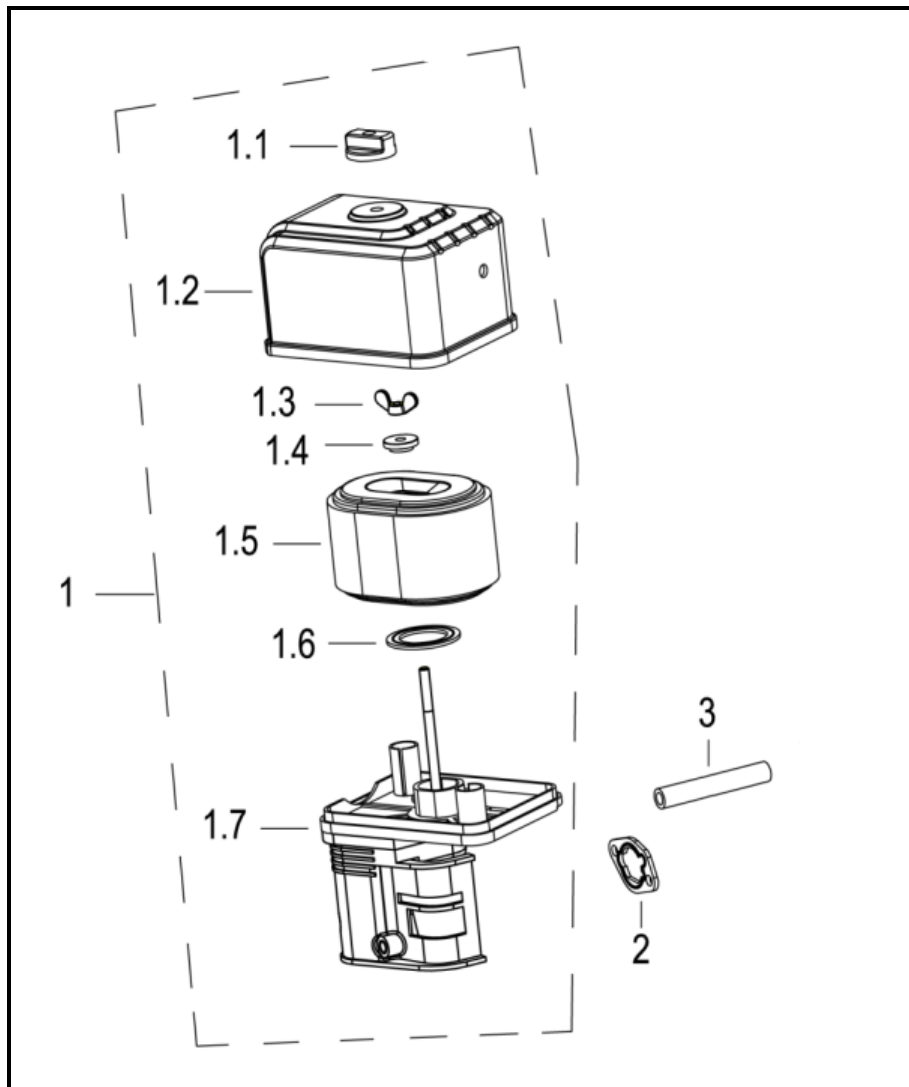
REF. NO.	DESCRIPTION	PART NO.	QTY
1	Assembly, Carburetor	A203952	1
2	Clamp, Fuel Line	A100677	2
3	Line, Fuel	A101180	1
4	Jacket, Fuel Line	A203953	1

Flywheel / Ignition



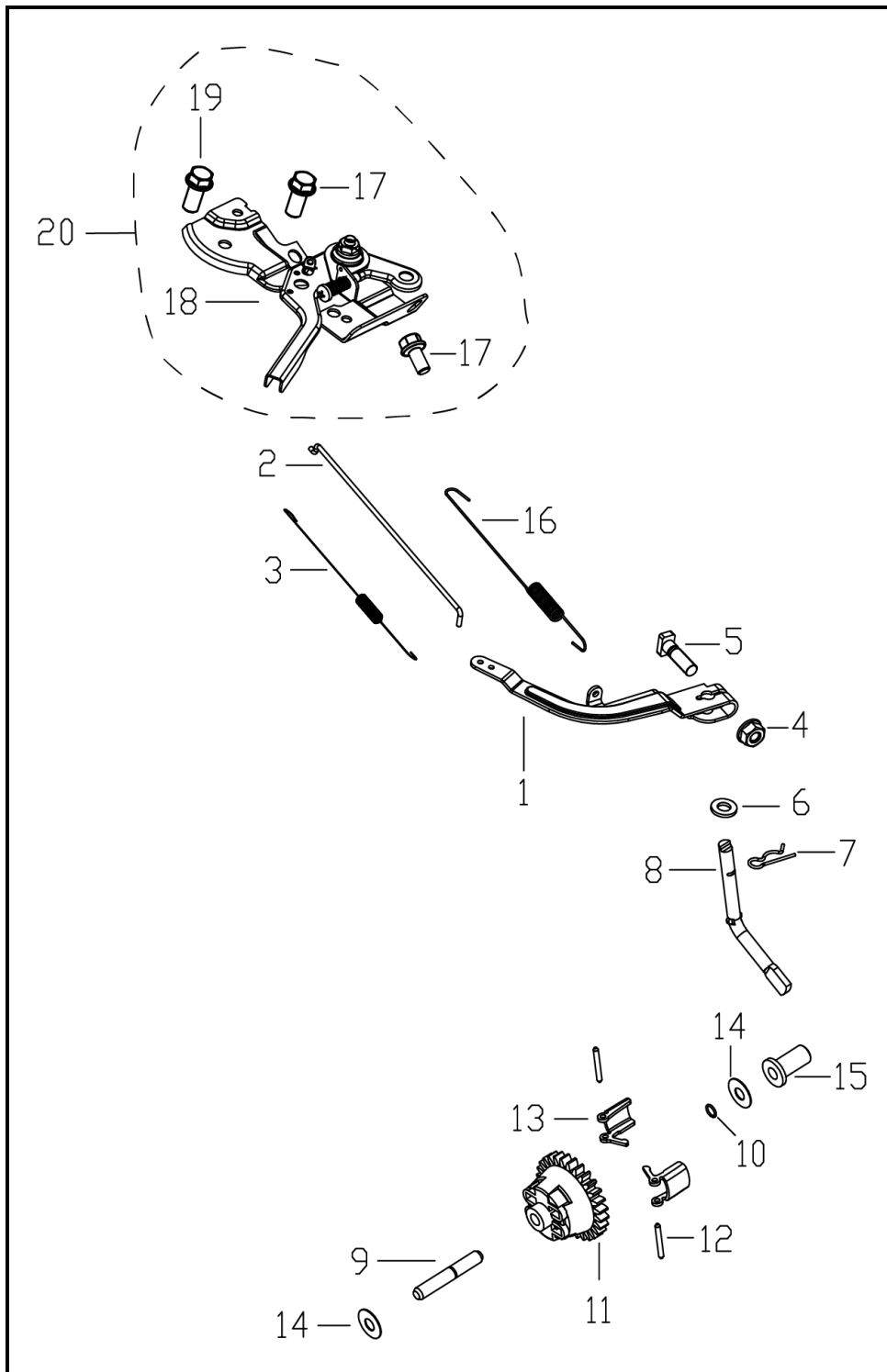
REF. NO.	DESCRIPTION	PART NO.	QTY
1	Nut, Clamp	A101186	1
2	Gear, Start-Up Ratchet	A203954	1
3	Fan, Recoil	A101187	1
4	Flywheel	A101188	1
5	Key	A203955	1
6	Assembly, Crankshaft	<i>Reference Only</i>	1
7	Key	A203956	1
8	Circlip, Piston Pin	<i>Reference Only</i>	2
9	Pin, Piston	<i>Reference Only</i>	1
10	Piston	<i>Reference Only</i>	1
11	Assembly, Piston Ring	<i>Reference Only</i>	1
12	Assembly, Connecting Rod	<i>Reference Only</i>	1
13	Screw, 5/16-24 x 1.0" Long, HFH	<i>Reference Only</i>	1

Air Filter



REF. NO.	DESCRIPTION	PART NO.	QTY
1	Assembly, Air Filter	A203957	1
1.1	Knob	<i>Reference Only</i>	1
1.2	Cover, Air Filter	<i>Reference Only</i>	1
1.3	Wing Nut	<i>Reference Only</i>	1
1.4	Seal, Filter Element	<i>Reference Only</i>	1
1.5	Element, Filter	A101172	1
1.6	Spacer	A203959	1
1.7	Cover, Air Filter Lower	<i>Reference Only</i>	1
2	Spacer	A203960	1
3	Tube, Breather	A203961	1

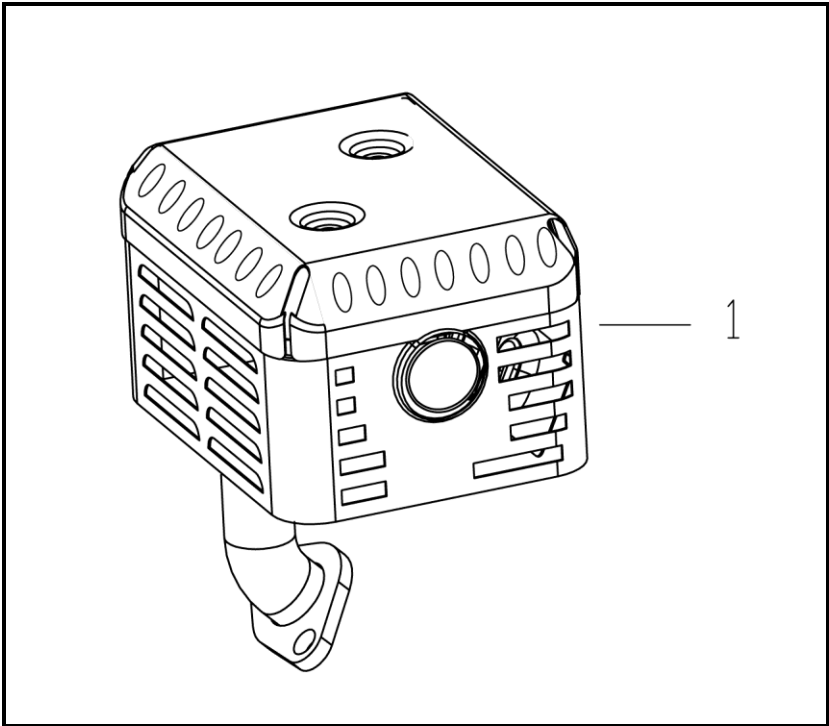
Control Assembly



Control Assembly (continued)

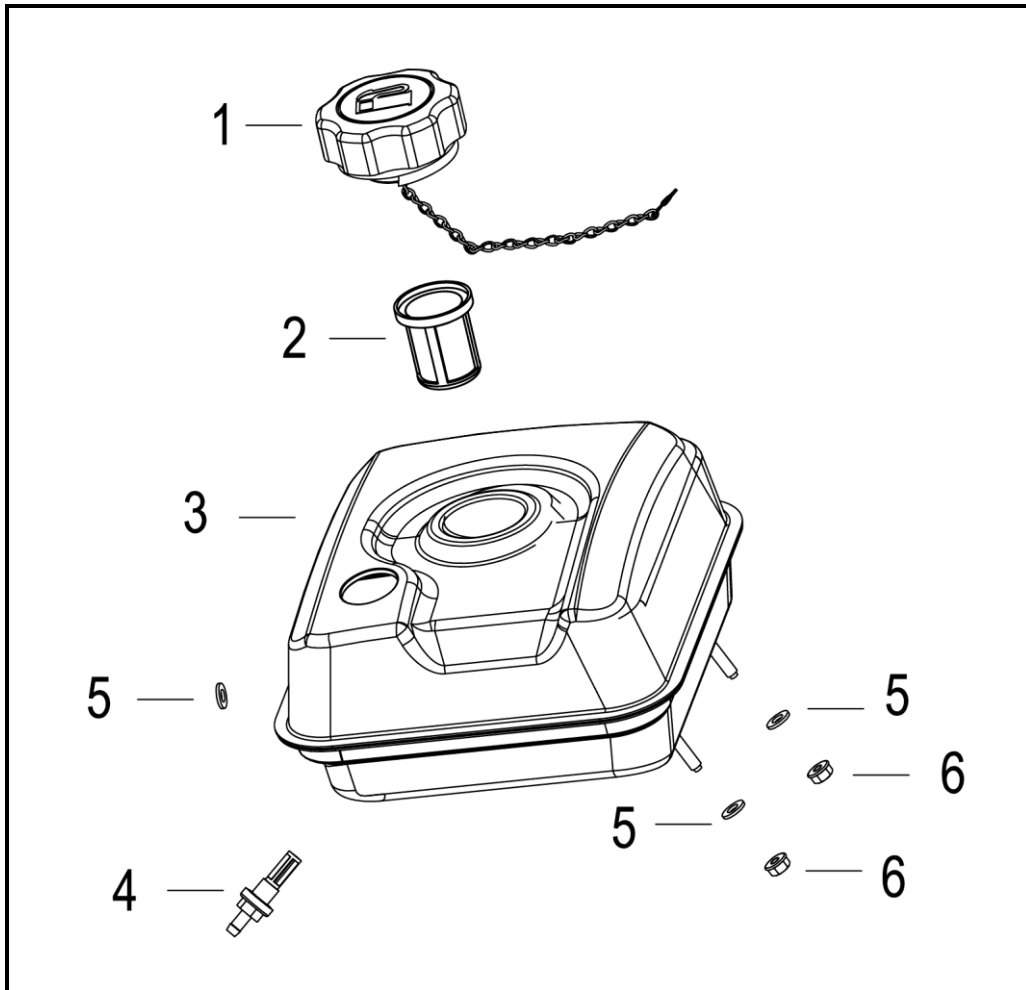
REF. NO.	DESCRIPTION	PART NO.	QTY
1	Arm	A101235	1
2	Rod, Tension	A101236	1
3	Spring, Tension, 1	A101237	1
4	Nut	A101139	1
5	Bolt, Square	A101238	1
6	Spacer, 1	<i>Reference Only</i>	1
7	Pin, Hair	A100636	1
8	Crank, Governor	<i>Reference Only</i>	1
9	Pin	<i>Reference Only</i>	1
10	Circlip	<i>Reference Only</i>	1
11	Body, Centrifugal Governor	<i>Reference Only</i>	1
12	Pin	<i>Reference Only</i>	2
13	Pawl	<i>Reference Only</i>	2
14	Spacer, 2	<i>Reference Only</i>	2
15	Cover, Push Rod	<i>Reference Only</i>	1
16	Spring, Tensioner, 2	A101246	1
17	Screw	<i>Reference Only</i>	2
18	Mechanism, RPM Adjustment	<i>Reference Only</i>	1
19	Screw	<i>Reference Only</i>	1
20	Kit, RPM Adjustment Mechanism	A203963	1

Muffler



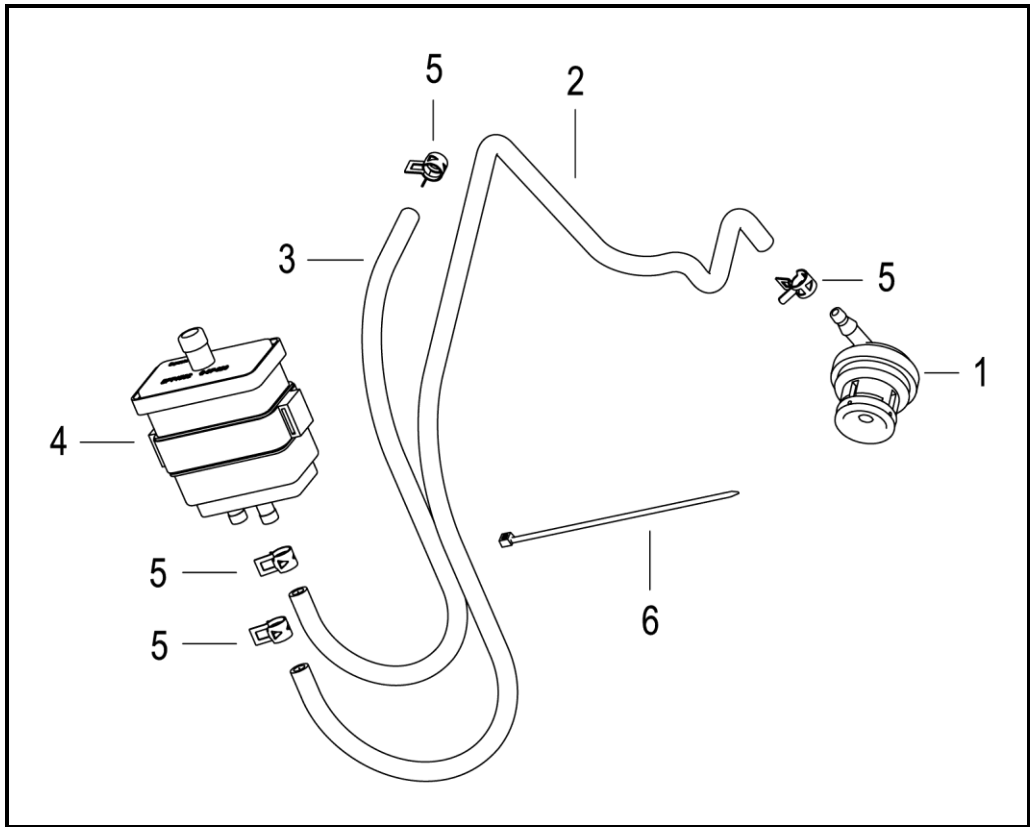
REF. NO.	DESCRIPTION	PART NO.	QTY
1	Muffler	A203964	1

Fuel Tank



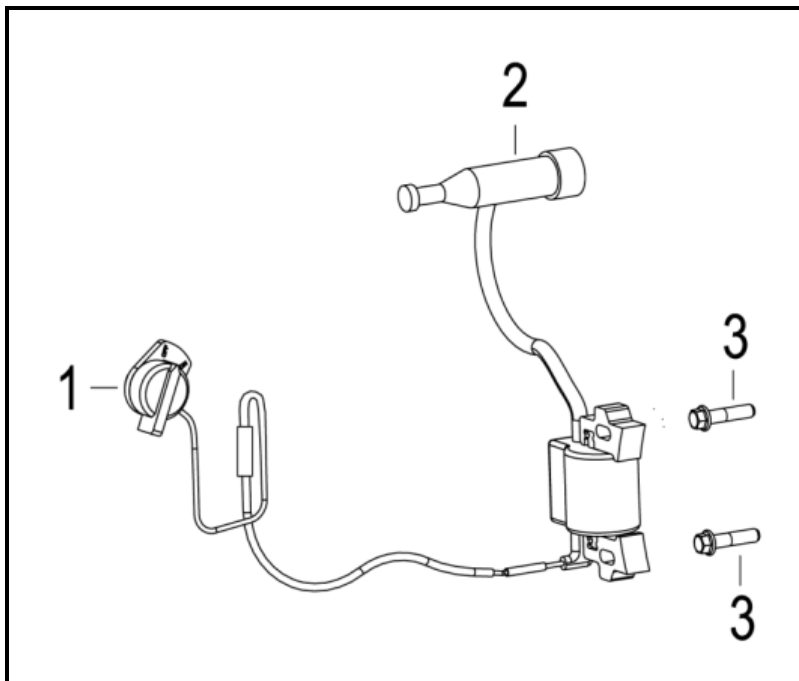
REF. NO.	DESCRIPTION	PART NO.	QTY
1	Cap, Fuel Tank	A100622	1
2	Filter, Fuel Cap	A203965	1
3	Tank, Fuel	A203966	1
4	Filter, In-Line Fuel	A101191	1
5	Isolator, Fuel Tank	A101195	3
6	Nut	Reference Only	2

Purge Valve



REF. NO.	DESCRIPTION	PART NO.	QTY
1	Assembly, Purge Valve	A202602	1
2	Hose, 1	A203967	1
3	Hose, 2	A203968	1
4	Tank, Carbon	A203969	1
5	Clamp, Fuel Line	A100677	4
6	Tie, Cable	<i>Reference Only</i>	1

Ignition Coil



REF. NO.	DESCRIPTION	PART NO.	QTY
1	Assembly, Ignition Switch	A200195	1
2	Coil, Ignition	A200194	1
3	Screw, M6 x 1.0 x 25, HFH	<i>Reference Only</i>	2